

16 WINDSCREEN WIPERS



- Windscreen wiper motors
- Pendulum arms
- Pantograph arms
- Blades for flat screens
- Blades for curved screens
- Control panels

16

speich

REBAMARINE

NAUTICAL EQUIPMENT

WINDSCREEN WIPERS

“NAUTIC E” SERIES

speich



MOTOR UNIT E SERIES

It is possible to change the wiping angle and to choose the parking position.

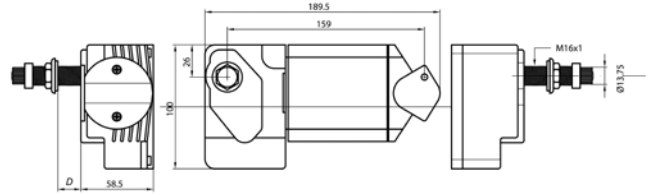
Two speeds.

Right or left adjustable limit stop

Torque 12Nm

Wiping angle available:

45°- 60°- 70°- 80°- 90°- 100°- 110°



PIVOT

Model	Pivot	Wall thickness mm	Supply voltage V	Current rating ansorbed		Starting PoWer		Speed N°	Stroke per minute	Code
				Speed 1	Speed 2	Speed 1	Speed 2			
E 1238	Short	5 ÷ 12	12	35 W	40 W	100 W	110 W	2	70/110	RE 80569
E 2438	Short	5 ÷ 12	24	35 W	40 W	100 W	110 W	2	70/110	RE 80570
E 1264	Medium	15 ÷ 35	12	35 W	40 W	100 W	110 W	2	70/110	RE 80571
E 2464	Medium	15 ÷ 35	24	35 W	40 W	100 W	110 W	2	70/110	RE 80572
E 1290	Long	38 ÷ 60	12	35 W	40 W	100 W	110 W	2	70/110	RE 80571/L
E 2490	Long	38 ÷ 60	24	35 W	40 W	100 W	110 W	2	70/110	RE 80572/L

Available angles: 45° 60° 80° 110°

The other four angles(50° 70° 90° 100°) are available substituting a card inside the engine



WINDSCREEN ARMS E SERIES

In stainless steel AISI 316

Pendulum or pantograph version

Adjustable length 280 ÷ 550 mm

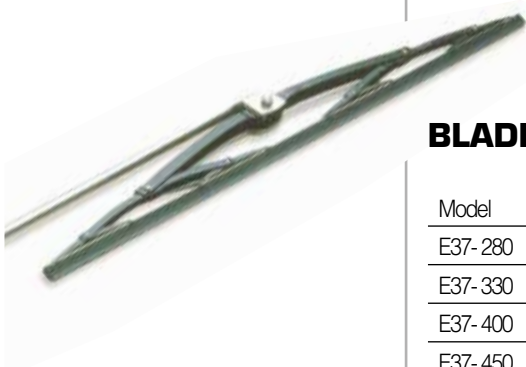
Length can be adjusted

With nozzle on the arm

If requested



Model	Type	Connection	Dimensions	Code
E 95 P	Pantograph	Saddle	from 280 to 550 mm	RE 80573
E 95 F	Pendulum	Saddle	from 280 to 550 mm	RE 80574



BLADES FOR WINDSCREEN WIPER E SERIES

Model	Length	Connection	Ø Connection	Code
E37- 280	280 mm	Bayonet	7 mm	RE 80575
E37- 330	330 mm	Bayonet	7 mm	RE 80576
E37- 400	400 mm	Bayonet	7 mm	RE 80577
E37- 450	450 mm	Bayonet	7 mm	RE 80578
E37- 500	500 mm	Bayonet	7 mm	RE 80579

WINDSCREEN WIPERS

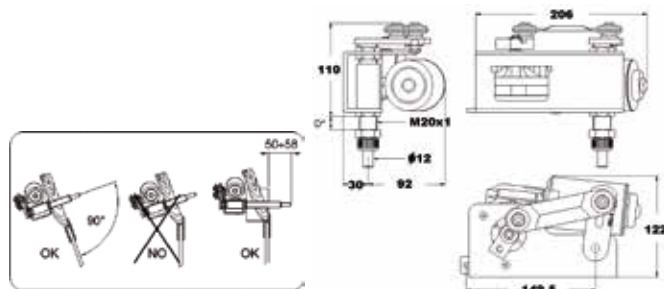
“NAUTIC LP” SERIES

speich



MOTOR UNIT LP SERIES

It is designed to prepare a custom installation
Easy to modify arm length,
wiping angle and park position side even
when the system is already installed
Adjustable end run left or right
Available wiping angle: $40^\circ \div 90^\circ$
The basic angle is 60°
Each regulation can be made
Even when the motor is installed
Stainless steel pendulum arms
Or pantograph up to 800 mm



PIVOT 40mm

Model	Wall thickness mm	Supply V	Current rating abs.		Starting PoWer		Speed N°	Stroke per minute	Couple	Weight Kg	Code
			Speed 1	Speed 2	Speed 1	Speed 2					
LP1240	40 ± 5	12	50 W	85 W	300 W	480 W	2	70-90	45 Nm	3,3 Kg	RE 80527
LP2440	40 ± 5	24	50 W	85 W	300 W	480 W	2	70-90	45 Nm	3,3 Kg	RE 80528

PIVOT 60mm

Model	Wall thickness mm	Supply V	Current rating abs.		Starting PoWer		Speed N°	Stroke per minute	Couple	Weight Kg	Code
			Speed 1	Speed 2	Speed 1	Speed 2					
LP1260	60 ± 5	12	50 W	85 W	300 W	480 W	2	70-90	45 Nm	3,3 Kg	RE 80529
LP2460	60 ± 5	24	50 W	85 W	300 W	480 W	2	70-90	45 Nm	3,3 Kg	RE 80530

PIVOT 80mm

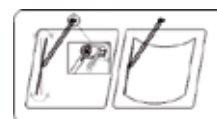
Model	Wall thickness mm	Supply V	Current rating abs.		Starting PoWer		Speed N°	Stroke per minute	Couple	Weight Kg	Code
			Speed 1	Speed 2	Speed 1	Speed 2					
LP1280	80 ± 5	12	50 W	85 W	300 W	480 W	2	70-90	45 Nm	3,3 Kg	RE 80531
LP2480	80 ± 5	24	50 W	85 W	300 W	480 W	2	70-90	45 Nm	3,3 Kg	RE 80532

PIVOT 100mm

Model	Wall thickness mm	Supply V	Current rating abs.		Starting PoWer		Speed N°	Stroke per minute	Couple	Weight Kg	Code
			Speed 1	Speed 2	Speed 1	Speed 2					
LP12100	100 ± 5	12	50 W	85 W	300 W	480 W	2	70-90	45 Nm	3,3 Kg	RE 80531/L
LP24100	100 ± 5	24	50 W	85 W	300 W	480 W	2	70-90	45 Nm	3,3 Kg	RE 80532/L

ARMS FOR LP SERIES

AISI stainless steel brushed natural colour
Adjustable length with a maximum length of 800mm
The model depends on dimensions and screen type
You can adjust blade inclination in the pantograph model
for making it parallel to the screen
LP arms have a nozzle
With thru - hull



Model	Type	Connection	Dimensions	Code
L 97 P	Pantograph	Bayonet	550 - 800 mm	RE 80539
L 97 F	Pendulum	Bayonet	550 - 800 mm	RE 80540

BLADES FOR LP SERIES

Blades for curved screens and u-shaped connection of 16.5x48mm Ø 6mm

Model	Length	Type Connection	Length Connection	Code
BH500	500 mm	U - Shaped	16,5 mm	RE 80595
BH550	550 mm	U - Shaped	16,5 mm	RE 80596
BH600	600 mm	U - Shaped	16,5 mm	RE 80589
BH650	650 mm	U - Shaped	16,5 mm	RE 80597
BH700	700 mm	U - Shaped	16,5 mm	RE 80590
BH800	800 mm	U - Shaped	16,5 mm	RE 80598



ESB ROCKER SWITCH

ESB rocker switch with three ON positions is suitable to drive two speeds wiper motors that don't require dynamic parking. Three position rocker switch ON-ON-ON.

Model	Supply	Max current	Engine models	Engine N°	Speed	Intermitt.	Operative temperature	Inlet hole mm	Code
ESB	12/24V	20/15A	E-LP-M	1	2	No	-40°C + 85°C	37 x 21	RE 80609



MULTIFUNCTION CT SERIES SWITCHES

Ultra-compact controls for engines at single or double speed, supply at 12V and at 24V
 This system manages one (CT41) two (CT42) wiper motor, synchronizing then in the continuous function (two speed) or in the intermittence
 It manages the windscreen washing cycle as well using an electrovalve or a pump
 It fits to every engine type and with every parking switches
 Surcharge protection PTC. 3 intermittence levels. Automatic parking with engine brake
 Washing cycle. Dimmer input. Its dimensions suit standard switches
 Reverse polarity protection

Model	Supply	Engine models	Engine N°	Speed	Intermittance	Dimensions mm	Inlet hole mm	Code
CT41	12/24V	E-LP-M	1	2	3	24x49,5x78	21x36,5	RE 80610
CT42	12/24V	E-LP-M	2	2	3	24x49,5x78	21x36,5	RE 80611



CONTROL SYSTEM LMS

The control system LMS is developed for two speeds wiper motors with a voltage from 12V up to 24V DC. The wiper arms movement is synchronized in all working modes. Synchronization is obtained by imperceptibly stopping the motors that arrive firstly to the park position.

LMS Modular system consists of two components: the control panel (LMS.E) and the power module (LMS.P). Each power module can control up to three wiper motors and up to three modules can be connected together. The main features of this system are:
 power supply: multivoltage from 12V up to 24V DC;
 possibility to drive 9 wipers and 1 auxiliary;
 wiper working mode in continuous high and low speed, and three steps of interval delays;
 maximum current for each motor: 8A
 maximum current for auxiliary: 5A
 overload protection by means of automatic fuses (PTC).

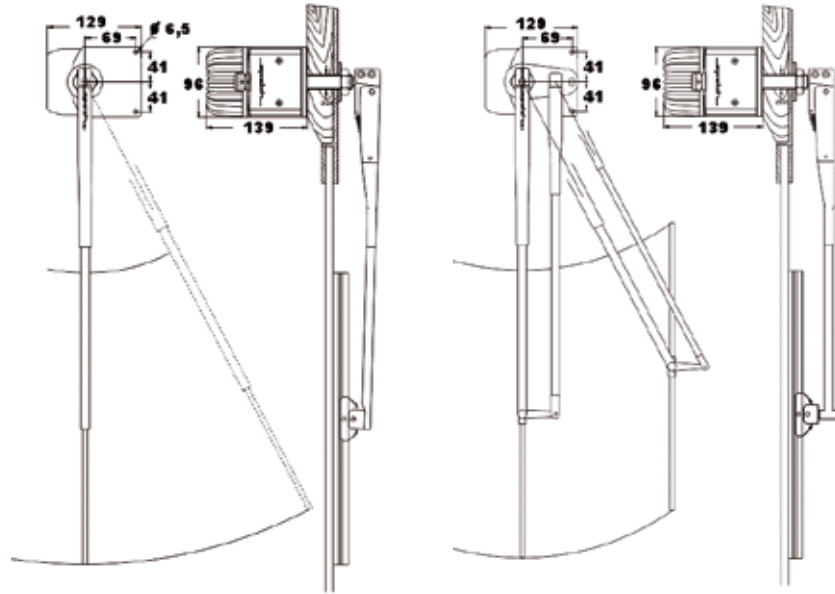
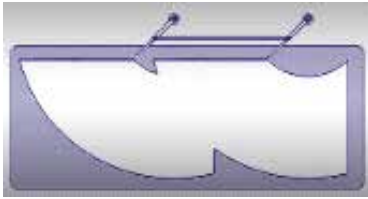


CONTROL PANEL
 CONTROL FOR TWO WIPERS
 CONTROL FROM 3 TO 9 WIPERS

RE 80617
 RE 80618
 RE 80619

PROFESSIONAL WINDSCREEN WIPERS

speich



MOTOR UNIT M SERIES

It is designed to be used on medium sized windscreen wipers installed on work boats for civil and military applications. It has variable wiping angle and for heavy duty applications.

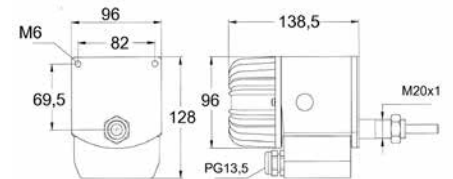
Self parking position can be set either left or right

Capacitor included. IP 50 Protection grade

Wiping angle with gear AA: 70° 75° 80° 85° 90°

Wiping angle with gear AB: 45° 50° 55° 60° 65°

Wall width 15 – 30 – 45 – 60 – 100mm



Model	Supply	Current rating	Starting power	Couple Nm	Stroke per minute	Weight Kg	Code
M 012	12 V	55 W	220 W	4,5 Nm	90	2,6	RE 80580
M 024	24 V	55 W	220 W	4,5 Nm	90	2,6	RE 80581

M SERIES WIPER ARMS

In AISI316 stainless steel in hand-polished natural colour

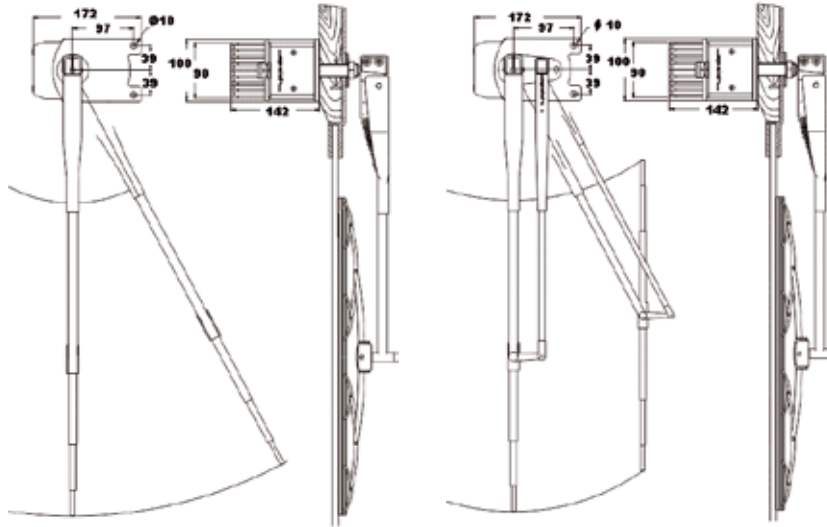
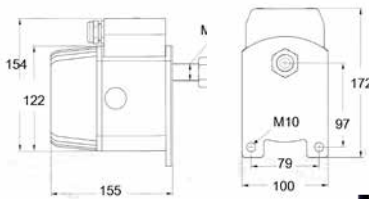
On request it is possible to supply arms in black

Arms length from 300mm to 900mm.



Model	Type	Connection	Dimensions	Max blade length	Material	Code
M 70	Pendulum	U - Shaped	from 300 to 950 mm	800 mm	Steel	RE 80582
M 72 P	Pantograph	U - Shaped	from 300 to 650 mm	600 mm	Steel	RE 80583
M 72 P	Pantograph	U - Shaped	from 700 to 900 mm	800 mm	Steel	RE 80599

PROFESSIONAL WINDSCREEN WIPERS



MOTOR UNIT S SERIES

Motor unit type S is used when powerful wipers with arms up to 1200 mm and blades up to 1300mm in length are needed. For big yachts

Available wiping angles: 30° - 35° - 40° - 45° - 50° - 55° - 60° - 65° - 70° - 75° - 80° - 85° - 90°

Max arms length pendulum 1800mm pantograph 1500mm. Max blade length 1500 mm

Wall thickness 15-30-45-60-100 mm

Model	Supply	Nominal rating	Starting power	Starting torque	Stroke per minute	Weight Kg	Code
S12	12V	85W	420W	4,5 Nm	90	4,5	RE 80601
S24	24V	85W	420W	4,5 Nm	90	4,5	RE 80602

WIPER ARMS S SERIE

The arms are custom made using AISI316 stainless steel, hand.polished.

On request it is possible to supply the arms in black

Arms length depends on screen dimensions and shape.

Model	Type	Connection type	Dimensions mm	Max blade length	Code
SP91 F	Pendulum	U-Shaped	from 500 to 1200	1000 mm	RE 80603
SP91 P	Pantograph	U-Shaped	from 500 to 1200	1000 mm	RE 80604

BLADES FOR M AND S SERIES WIPERS

Blade model	Fixing width	Ø Fixing mm	Fixing length	Fixing type	Length mm	Application	Code
MG	11 mm	5	25 mm	U - Shaped	300	Rigid blades for flat screens	RE 80584
MG	11 mm	5	25 mm	U - Shaped	350	Rigid blades for flat screens	RE 80585
MG	11 mm	5	25 mm	U - Shaped	400	Rigid blades for flat screens	RE 80586
MG	11 mm	5	25 mm	U - Shaped	450	Rigid blades for flat screens	RE 80587
MG	11 mm	5	25 mm	U - Shaped	500	Rigid blades for flat screens	RE 80588
BH	16,5 mm	6	48 mm	U - Shaped	600	Blades for curved screens	RE 80589
BH	16,5 mm	6	48 mm	U - Shaped	700	Blades for curved screens	RE 80590
BH	16,5 mm	6	48 mm	U - Shaped	800	Blades for curved screens	RE 80598
BH	16,5 mm	6	48 mm	U - Shaped	900	Blades for curved screens	RE 80557
BH	16,5 mm	6	48 mm	U - Shaped	1000	Blades for curved screens	RE 80558
BH	16,5 mm	8	48 mm	U - Shaped	1200	Blades for curved screens	RE 80559



DCS CONTROL SYSTEM

The Distributed Control System (DCS) is designed for the management of SPEICH windscreen wiper motors and window auxiliary devices. It consists of a microcontrollers network, integrated on board of each motor, in communication via CAN bus. For a pantograph/pendulum wipers system, DCS have the following features: perfect synchronization of the wipers in all operating conditions, both in continuous and intermittent operation mode.

Synchronization occurs even if the wipers are different in dimensions and wiping angles; the management of the wipers in groups that can have different working modes, each other independent; wiring simplified due to a reduced number of wires, standard connectors and items connected one to the other like in a chain;

great flexibility in varying the composition of the groups, modifying the park position side and adding items to the system (control panels, wiper motors and auxiliary) even after installation; management of auxiliary devices (electrovalves for water).

CAN bus commands can be generated from a control panel, with a standard keypad from us proposed, from a gateway connected with switches installed by the customer on the console or directly from the integrated bridge system.



Control for 1 windscreen wiper
Control up to 2 windscreen wiper
Control up to 3 windscreen wiper
Control up to 4 windscreen wiper
Control up to 5 windscreen wiper
Control up to 6 windscreen wiper
Control up to 7 windscreen wiper
Gateway DCS.GW

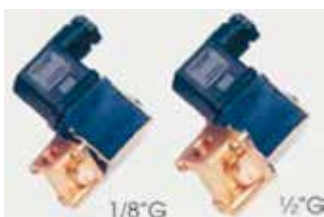
RE 80620
RE 80621
RE 80622
RE 80623
RE 80624
RE 80625
RE 80626
RE 80627

**WALL MOUNTING SPRAY NOZZLES**

Made in chromed brass, 10 mm hole diameter
Threading 1/8 "G

ADJUSTABLE LITTLE SPRAY NOZZLES EZZ
ADJUSTABLE BIG SPRAY NOZZLES NZZ
ADJUSTABLE HEATED SPRAY NOZZLES NZZH

RE 80591
RE 80592
RE 80593

**SOLENOID VALVES**

ELVAL.012 solenoid valve 1/8" G12V
ELVAL.024 solenoid valve 1/8" G24V
ELVAL.220 solenoid valve 1/8" G220V
ELVAL.0241/2 solenoid valve 1/2" G24V
ELVAL.2201/2 solenoid valve 1/2" G220V

RE 80640
RE 80641
RE 80642
RE 80643
RE 80644

HORIZONTAL WIPERS

speich



HORIZONTAL WIPER

Speich wipers with single blade mod. PG and double blades mod. PGD is designed for both marine use both in pleasure craft.

With this type of windscreen wiper, you can have high sanding areas.

It is a system designed to: have high resistance to tough external conditions;

have a compact engine; having a sliding speed of 1.2 m / s;

have auto parking on the side of the engine.

The PG wiper is also available in the double arms version (PGD type).

On request, these systems can be equipped with spray nozzles

fan (option PG.ZZ) and available in versions with heated chassis

(PG.HOT option).

This type of windscreen wiper is customizable in length.

Model	Stroke mm	Arm mm	Blade mm	Supply	Starting power W	Nominal power W	Speed m/sec	Motor shaft for wall thickness mm	Code
PG (single)	400 - 2250	300 - 800	until 1300	12 - 24 VDC	420	85	1,2	18-35-70-150-200-250	RE 80630
PG (single)	400 - 2250	300 - 800	until 1300	220 VAC	420	85	1,2	18-35-70-150-200-250	RE 80631
PGD (double)	900 - 4500	300 - 800	until 800	12 - 24 VDC	420	85	1,2	18-35-70-150-200-250	RE 80632
PGD (double)	900 - 4500	300 - 800	until 800	220 VAC	420	85	1,2	18-35-70-150-200-250	RE 80633



PG EXT SERIES HORIZONTAL TERGICRIST OUTDOOR ENGINE

The PG-Ext horizontal windscreen wiper is an external engine system, housed in an IP67 enclosure, equipped with an electronic board capable of adjusting the speed and communicating with other devices via CAN bus. The PG-Ext wiper allows you to: two modes of operation: in perfect synchronization between several arms, both continuously and intermittently,

and maximum sliding speed for all windscreen wipers. The operating conditions are stabilized

by the speed controller to a wide range of voltages; a minimal need for maintenance and high

resistance to tough external conditions; a simple and clean wiring, thanks to the control unit that

It also acts as a branch box, with all the elements connected to the chain system.

The control unit also allows the power supply of one or more auxiliary utilities

(water solenoid valves/air, glass and box heating). The wiring is arranged so that it can be removed

the control electronics without interrupting the power line and the CAN bus line that goes to wiring

later. The PG-Ext wiper is also available in the double arm version (PGD-Ext).

On request, these systems may be equipped with fan spray nozzles (PG.ZZ option)

and available in versions with heated chassis (PG.HOT option).

This type of windscreen wiper is customizable in length.

Equipped with three intermittents: 3, 6 and 9 sec

Model	Stroke mm	Arm mm	Blade mm	Supply	Starting power W	Nominal power W	Max speed m/sec	Code
PG Ext (single)	400 - 2250	300 - 800	until 1300	220 VAC	420	100	1,5	RE 80634
PGD Ext (double)	900 - 4500	300 - 800	until 800	220 VAC	420	100	1,5	RE 80635

**FITTINGS FOR WASHER EQUIPMENTS**

Made in Nickel-plated brass

IAL	L shaped fitting for tube 6x4	RE 80650
IAL.8	L shaped for tube 8x6	RE 80651
IALF	L shaped for tube 6x4 - 1/8" G female	RE 80652
IALF.8	L shaped for tube 8x6 - 1/8" G female	RE 80653
IALM	L shaped for tube 6x4 - 1/8" G male	RE 80654
IALM.8	L shaped for tube 8x6 - 1/8" G male	RE 80655
IAD	Straight fitting for tube 6x4	RE 80656
IAD.8	Straight fitting for tube 8x6	RE 80657
IAF	Straight fitting for tube 6x4 - 1/8" G female	RE 80658
IAF.8	Straight fitting for tube 8x6 - 1/8" G female	RE 80659
IAM	Straight fitting for tube 6x4 - 1/8" G male	RE 80660
IAM.6 - 1/4	Straight fitting for tube 6x4 - 1/4" G male	RE 80661
IAM.8	Straight fitting for tube 8x6 - 1/8" G male	RE 80662
IAM.8 - 1/4	Straight fitting for tube 8x6 - 1/4" G male	RE 80663
IAT	T shaped fitting for tube 6x4	RE 80664
IAT.6 - 1/4 - 6	T shaped for tube 6x4 - 1/4" GM - tube 6x4	RE 80665
IAT.6 - 1/8 - 6	T shaped for tube 6x4 - 1/8" GM - tube 6x4	RE 80666
IAT.8	T shaped for tube 8x6	RE 80667
IAT.8 - 1/4 - 8	T shaped for tube 8x6 - 1/4" GM - tube 8x6	RE 80668
IAT.8 - 1/8 - 8	T shaped for tube 8x6 - 1/8" GM - tube 8x6	RE 80669

**HOSE**

Reference	Material	Temperature	Pression	Code
IATUB4x6.PON	Black polyurethane ether based extra flexible	from -40° C to +60° C	8 atm	RE 80670
IATUB4x6.PO	Blue polyurethane ether based	from -40° C to +60° C	11 atm	RE 80671
IATUB6x8.PO	Blue polyurethane ether based	from -40° C to +60° C	8 atm	RE 80672



RE 80673

WATER FEEDING

RE 80674

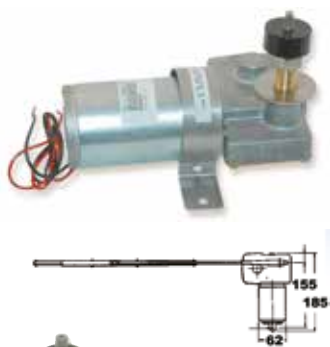
SERB7L
Stainless steel 7 liters water tank
available 12 V or 24 V

RE 80673

SERB8L.PE
Polyetilene 8 liters water tank
available 12 V or 24 V with 1 or 2 or 3 pumps

RE 80674

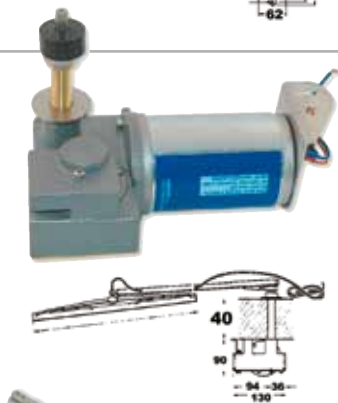
WINDSCREEN WIPERS



WINDSCREEN WIPER MOTOR SK20

Right for screens less than 1000mm of height. Reduced body in aluminium lacquered in oven. Bronze aluminium wheel. Screws in steel ETG 100
Knurling: \varnothing 9,5mm
Adjustable wiping angle: 80°, 90°, 100°, 120°

Supply V	Absorption A	Knurling	\varnothing pivot mm	Length pivot	Dimensions mm	Weight Kg	Code
12 V	4 A	\varnothing 9,5 mm	16	40 mm	115 x 190 x 65	1,8	RE 80525
24 V	2 A	\varnothing 9,5 mm	16	40 mm	115 x 190 x 65	1,8	RE 80526



WINDSCREEN WIPER MOTOR W600

Right for screens more than 1000mm of height. Reduced body in aluminium lacquered in oven. Bronze aluminium wheel. Screws in steel ETG 100
Knurling: \varnothing 9,5mm
Adjustable wiping angle: 80°, 90°, 100°, 120°

Supply V	Absorption A	Knurling	\varnothing pivot mm	Length pivot	Dimensions mm	Weight Kg	Code
12 V	10 A	\varnothing 9,5 mm	16	45 mm	130 x 200 x 88	3,3	RE 80537
24 V	5 A	\varnothing 9,5 mm	16	45 mm	130 x 200 x 88	3,3	RE 80538



EXTENSIBLE ARMS AND BLADES SK20 AND W600

Model	Length arm	Material	Blades	Code
Single	300 - 400 mm	Stainless Steel	280 - 600 mm	RE 80560
Single	450 - 600 mm	Stainless Steel	280 - 600 mm	RE 80561
Pantograph	400 - 600 mm	Stainless Steel	400 - 600 mm	RE 80562
Pantograph	640 - 800 mm	Stainless Steel	400 - 600 mm	RE 80563
Pantograph	800 - 1000 mm	Stainless Steel	400 - 600 mm	RE 80564



BLADES FOR ARMS

Length	Model	Material	Code
280 mm	Single	Stainless Steel + rubber	RE 80533
400 mm	Single	Stainless Steel + rubber	RE 80534
600 mm	Single	Stainless Steel + rubber	RE 80555
400 mm	Pantograph	Stainless Steel + rubber	RE 80543
500 mm	Pantograph	Stainless Steel + rubber	RE 80544
600 mm	Pantograph	Stainless Steel + rubber	RE 80545



UNIVERSAL BLADES

Blades	Type	Colour	Code
Length : 500 mm	Pantograph	Black	RE 80511
Length : 550 mm	Pantograph	Black	RE 80553
Length : 600 mm	Pantograph	Black	RE 80551
Length : 700 mm	Pantograph	Black	RE 80552