



- Aber marine instruments
- San Giorgio S.E.I.N instruments
- San Giorgio S.E.I.N sensors
- Vdo Ocean Line instruments
- Vdo View Line instruments
- Vdo sensors
- Preresistance 24-12V

VDO**aber**
MARINE**REBAMARINE**

NAUTICAL EQUIPMENT



FRESHWATER LEVEL GAUGE

FOR ARM SENSOR (NOT VERTICAL SENSOR)

Double lens anti-fog chamber
Backlit with red light and red pointer
Flush execution

Scale range water	Bezel color	Background color	Voltage supply	Housing diameter	Frontal	Input	Pointer color	Code
0...1/2...4/4	Black	Black	12 V	52 mm	IP 65	VDO	Red	RE 71601
0...1/2...4/4	Black	Black	24 V	52 mm	IP 65	VDO	Red	RE 71602



FUEL LEVEL GAUGE

FOR ARM SENSOR

Double lens anti-fog chamber
Backlit with red light and red pointer
Flush execution

Scale range Tank	Bezel color	Background color	Voltage supply	Housing diameter	Frontal	Input	Pointer color	Code
0...1/2...4/4	Black	Black	12 V	52 mm	IP 65	VDO	Red	RE 71603
0...1/2...4/4	Black	Black	24 V	52 mm	IP 65	VDO	Red	RE 71604



FUEL LEVEL GAUGE, COMPLETE SYSTEM

Universal sensor, with adjustable lever (300 ÷ 600mm) with cork gasket
Round flange 70 mm with 5 holes
Negative round
Gauge 52 mm with Black dial and Black plastic bezel
Voltage supply 12V

RE 71605



PRESSURE GAUGES

For advance detection of irregularities in the engine lubricating circuit, turbochargers and gearbox
Backlit, double indication bar and PSI
Calibration for VDO sensor

Scale range Bar	Bezel color	Background color	Housing diameter	Voltage supply	Frontal	Pressure range	Code
0.....10 Kg	Black	Black	52 mm	12 V	IP 65	Oil motor	RE 71607
0.....10 Kg	Black	Black	52 mm	24 V	IP 65	Oil motor	RE 71608
0.....25 Kg	Black	Black	52 mm	12 V	IP 65	Gearbox	RE 71609
0.....25 Kg	Black	Black	52 mm	24 V	IP 65	Gearbox	RE 71610



AMMETERS

Measure the actual current used by apparatus or sent in recharge
With direct connection
Backlit

Scale range A	Bezel color	Background color	Voltage supply	Housing diameter	Frontal	Pointer color	Code
± 60 A	Black	Black	12/24 V	52 mm	IP 65	Red	RE 71611
± 60 A	Chromed	White	12/24 V	52 mm	IP 65	Red	RE 71612



VOLTMETERS

Necessary to monitor battery and charger status

Backlit

Back panel mounting

Scale range Volt	Bezel color	Background color	Voltage supply	Housing diameter	Frontal	Pointer color	Code
8 - 16	Black	Black	12 V	52 mm	IP 65	Red	RE 71613
16 - 32	Black	Black	24 V	52 mm	IP 65	Red	RE 71614

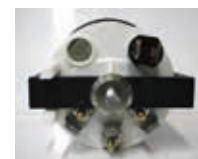


WATER TEMPERATURE GAUGES

Double indication °C and °F

Backlit

Back panel mounting



Scale range	Bezel color	Background color	Voltage supply	Housing diameter	Frontal	Pointer color	Code
40° C - 120° C	Black	Black	12 V	52 mm	IP 65	Red	RE 71615
40° C - 120° C	Black	Black	24 V	52 mm	IP 65	Red	RE 71616

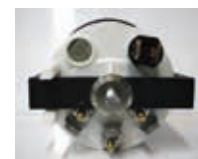


OIL TEMPERATURE GAUGES

Double indication °C and °F

Backlit

Back panel mounting



Scale range	Bezel color	Background color	Voltage supply	Housing diameter	Frontal	Pointer color	Code
50° C - 150° C	Black	Black	12 V	52 mm	IP 65	Red	RE 71617
50° C - 150° C	Black	Black	24 V	52 mm	IP 65	Red	RE 71618



TACHOMETERS

Electronic microprocessor tachometers with actual hour meter

Perfect control of optimal engine regime and service intervals

Range	Bezel color	Background color	Voltage supply	Housing diameter	Frontal	Pointer color	Code
0 - 3000	Black	Black	12 - 24 V	85 mm	IP 65	Red	RE 71619
0 - 4000	Black	Black	12 - 24 V	85 mm	IP 65	Red	RE 71620



RESISTOR

It allows to use instruments at 12Vdc with power supply at 24Vdc
Kit resistor + red bulb 24V

RE 71621



FRESHWATER LEVEL GAUGE (FOR VERTICAL SENSOR)

Double lens anti-fog chamber
Backlit, White bulb and red pointer
Back panel mounting or with round bezel

Scale range WATER	Bezel color	Background color	Voltage supply	Housing diameter	Frontal	Input	Pointer color	Code
0...1/2...4/4	Black	Black	12V	52 mm	IP 66	300-10 Ω	Red	RE 71520
0...1/2...4/4	Chromed	White	12V	52 mm	IP 66	300-10 Ω	Red	RE 71521
0...1/2...4/4	Black	Black	24V	52 mm	IP 66	300-10 Ω	Red	RE 71522
0...1/2...4/4	Chromed	White	24V	52 mm	IP 66	300-10 Ω	Red	RE 71523



FRESHWATER LEVEL GAUGE (FOR VERTICAL SENSOR)

Double lens anti-fog chamber
Backlit, White bulb and red pointer
Back panel mounting or with round bezel

Scale range WASTE	Bezel color	Background color	Voltage supply	Housing diameter	Frontal	Input	Pointer color	Code
0...1/2...4/4	Black	Black	12V	52 mm	IP 66	300-10 Ω	Red	RE 71526
0...1/2...4/4	Chromed	White	12V	52 mm	IP 66	300-10 Ω	Red	RE 71527
0...1/2...4/4	Black	Black	24V	52 mm	IP 66	300-10 Ω	Red	RE 71528
0...1/2...4/4	Chromed	White	24V	52 mm	IP 66	300-10 Ω	Red	RE 71529



FUEL LEVEL GAUGE (FOR VERTICAL SENSOR)

Double lens anti-fog chamber
Backlit, White bulb and red pointer
Back panel mounting or with round bezel

Scale range TANK	Bezel color	Background color	Voltage supply	Housing diameter	Frontal	Input	Pointer color	Code
0...1/2...4/4	Black	Black	12V	52 mm	IP 66	300-10 Ω	Red	RE 71401
0...1/2...4/4	Chromed	White	12V	52 mm	IP 66	300-10 Ω	Red	RE 71402
0...1/2...4/4	Black	Black	24V	52 mm	IP 66	300-10 Ω	Red	RE 71403
0...1/2...4/4	Chromed	White	24V	52 mm	IP 66	300-10 Ω	Red	RE 71404



WATER TEMPERATURE GAUGE

Double indication °C and °F. Backlit.

Scale range	Bezel color	Background color	Voltage supply	Housing diameter	Frontal	Input	Pointer color	Code
40° C - 120° C	Black	Black	12V	52 mm	IP 66	300-10 Ω	Red	RE 71452
40° C - 120° C	Chromed	White	12V	52 mm	IP 66	300-10 Ω	Red	RE 71453
40° C - 120° C	Black	Black	24V	52 mm	IP 66	300-10 Ω	Red	RE 71454
40° C - 120° C	Chromed	White	24V	52 mm	IP 66	300-10 Ω	Red	RE 71455



OIL TEMPERATURE GAUGE

Double indication °C and °F. Backlit.

Scale range	Bezel color	Background color	Voltage supply	Housing diameter	Frontal IP	Input	Pointer color	Code
50° C - 150° C	Black	Black	12V	52 mm	IP 66	300-10 Ω	Red	RE 71456
50° C - 150° C	Chromed	White	12V	52 mm	IP 66	300-10 Ω	Red	RE 71457
50° C - 150° C	Black	Black	24V	52 mm	IP 66	300-10 Ω	Red	RE 71458
50° C - 150° C	Chromed	White	24V	52 mm	IP 66	300-10 Ω	Red	RE 71459



PRESSUERE GAUGES

For advance detection of irregularities in the engine lubricating circuit, turbocharger and gearbox
Double indication bar and psi
Backlit

Range bar	Range	Bezel color	Background color	Housing diameter	Voltage supply	Frontal	Descriptio	Code
0.....8 bar	0...110 psi	Black	Black	52 mm	12 V	IP 66	Engine oil	RE 71434
0.....8 bar	0...110 psi	Chromed	White	52 mm	12 V	IP 66	Engine oil	RE 71435
0.....8 bar	0...110 psi	Black	Black	52 mm	24 V	IP 66	Engine oil	RE 71436
0.....8 bar	0...110 psi	Chromed	White	52 mm	24 V	IP 66	Engine oil	RE 71437
0.....24 bar	0...330 psi	Black	Black	52 mm	12 V	IP 66	Gearbox	RE 71438
0.....24 bar	0...330 psi	Chromed	White	52 mm	12 V	IP 66	Gearbox	RE 71439
0.....24 bar	0...330 psi	Black	Black	52 mm	24 V	IP 66	Gearbox	RE 71440
0.....24 bar	0...330 psi	Chromed	White	52 mm	24 V	IP 66	Gearbox	RE 71441



VOLTMETERS

Necessary to monitor battery and charger status
Backlit

Range Volt	Bezel color	Background color	Voltage supply	Diameter	Frontal	Pointer color	Code
8 - 16 V	Black	Black	12V	52 mm	IP 66	Red	RE 71471
8 - 16 V	Chromed	White	12V	52 mm	IP 66	Red	RE 71472
16 - 32 V	Black	Black	24V	52 mm	IP 66	Red	RE 71473
16 - 32 V	Chromed	White	24V	52 mm	IP 66	Red	RE 71474



AMMETERS

Necessary to measure the actual current used by apparatus or sent in recharge, with either direct connection ($\pm 60A$) or with shunt sensor ($\pm 100A$ and $\pm 150A$)

Range A	Bezel color	Background color	Voltage supply	Diameter	Frontal	Pointer color	Code
$\pm 60 A$	Black	Black	12/24 V	52 mm	IP 66	Red	RE 71479
$\pm 60 A$	Chromed	White	12/24 V	52 mm	IP 66	Red	RE 71480
$\pm 100 A$	Black	Black	12/24 V	52 mm	IP 66	Red	RE 71481
$\pm 100 A$	Chromed	Black	12/24 V	52 mm	IP 66	Red	RE 71482
$\pm 150 A$	Black	Black	12/24 V	52 mm	IP 66	Red	RE 71483
$\pm 150 A$	Chromed	Black	12/24 V	52 mm	IP 66	Red	RE 71484



PIEZOELECTRIC BUZZER

Panel waterproof piezoelectric buzzer

Range db	Bezel color	Background color	Voltage supply	Diameter instrumts	Frontal IP	Pointer color	Code
> 90 db	Black	Black	10 - 32 V	52 mm	IP 66	Red	RE 71499



RUDDER ANGLES

Range RUDDER	Input	Bezel color	Background color	Voltage supply	Diameter	Pointer color	Code
Rudder $\pm 40^\circ$	sensor	Black	Black	12/24 V	52 mm	Red	RE 71485
Rudder $\pm 40^\circ$	sensor	Chromed	White	12/24 V	52 mm	Red	RE 71486

ABS rudder angles sensors

RE 71532

Equipped with a leverism and a spheric joint plus a second rod to be connected to the rudder shaft



FLAP ANGLES

Range FLAP	Input	Bezel color	Background color	Voltage supply	Diameter	Pointer color	Code
R/DX FLAP $-2^\circ+12^\circ$	sensor	Black	Black	12/24 V	52 mm	Red	RE 71487
R/DX FLAP $-2^\circ+12^\circ$	sensor	Chromed	White	12/24 V	52 mm	Black	RE 71488
L/SX FLAP $-2^\circ+12^\circ$	sensor	Black	Black	12/24 V	52 mm	Red	RE 71489
L/SX FLAP $-2^\circ+12^\circ$	sensor	Chromed	White	12/24 V	52 mm	Black	RE 71490

Plastic Flap angles sensors

RE 71533

Equipped with a leverism to be connected to the piston, generally using a flexible cable (not included)



TRIM ANGLES INDICATORS

Range TRIM	Input	Bezel color	Background color	Voltage supply	Diameter	Pointer color	Code
R/DX UP/DOWN	10-180 Ohm	Black	Black	12/24 V	52 mm	Red	RE 71491
R/DX UP/DOWN	10-180 Ohm	Chromed	White	12/24 V	52 mm	Black	RE 71492
L/SX UP/DOWN	10-180 Ohm	Black	Black	12/24 V	52 mm	Red	RE 71493
L/SX UP/DOWN	10-180 Ohm	Chromed	White	12/24 V	52 mm	Black	RE 71494



HOURLMETER

Engine hour meter, essential for controlling service intervals
Six digit display with 1/10 hour step

Range	Bezel color	Background color	Voltage supply	Diameter	Frontal	Type	Code
0 - 9999,9	Black	Black	12/24 V	52 mm	IP 66	Mechanical	RE 71495



OMNI LINK SERIES

This new line has been designed for being connected directly to CAN Bus signal without a master instrument: Each indicator has a microprocessor which receives and checks for CAN Bus messages from the ECU of the engine. If the microprocessor doesn't find any CAN Bus signal, the instrument turns into the traditional status, reading the parameter through the connected sensor. This technology allows to combine clarity and reliability in an analog instrument with a digital accuracy. Its dimmable LED back-lighting guarantees a perfect visibility with no bulbs to be changed.

LEVEL GAUGES



Range level	Frame color	Dial color	Gauge diameter	Input	Front	Pointer color	Supply	Code
0 - 4/4 Fuel	Black	Black	52 mm	CAN Bus or VDO match	IP 66	Red	9-32 VDC	RE 71801
0 - 4/4 Fuel	Black	White	52 mm	CAN Bus or VDO match	IP 66	Red	9-32 VDC	RE 71802
0 - 4/4 Water	Black	Black	52 mm	CAN Bus or VDO match	IP 66	Red	9-32 VDC	RE 71803
0 - 4/4 Water	Black	White	52 mm	CAN Bus or VDO match	IP 66	Red	9-32 VDC	RE 71804
0 - 4/4 Waste	Black	Black	52 mm	CAN Bus or VDO match	IP 66	Red	9-32 VDC	RE 71805
0 - 4/4 Waste	Black	White	52 mm	CAN Bus or VDO match	IP 66	Red	9-32 VDC	RE 71806

TEMPERATURE GAUGES



Range level	Frame color	Dial color	Gauge diameter	Input	Front	Pointer color	Supply	Code
0 - 120	Black	Black	52 mm	CAN Bus or VDO match	IP 66	Red	9-32 VDC	RE 71807
0 - 120	Black	White	52 mm	CAN Bus or VDO match	IP 66	Red	9-32 VDC	RE 71808
0 - 150	Black	Black	52 mm	CAN Bus or VDO match	IP 66	Red	9-32 VDC	RE 71809
0 - 150	Black	White	52 mm	CAN Bus or VDO match	IP 66	Red	9-32 VDC	RE 71810

PRESSURE GAUGES



Range level	Frame color	Dial color	Gauge diameter	Input	Front	Pointer color	Supply	Code
0 - 5 Bar	Black	Black	52 mm	CAN Bus or VDO match	IP 66	Red	9-32 VDC	RE 71811
0 - 5 Bar	Black	White	52 mm	CAN Bus or VDO match	IP 66	Red	9-32 VDC	RE 71812
0 - 10 Bar	Black	Black	52 mm	CAN Bus or VDO match	IP 66	Red	9-32 VDC	RE 71813
0 - 10 Bar	Black	White	52 mm	CAN Bus or VDO match	IP 66	Red	9-32 VDC	RE 71814
0 - 25 Bar	Black	Black	52 mm	CAN Bus or VDO match	IP 66	Red	9-32 VDC	RE 71815
0 - 25 Bar	Black	White	52 mm	CAN Bus or VDO match	IP 66	Red	9-32 VDC	RE 71816

VOLTMETERS



Range level	Frame color	Dial color	Gauge diameter	Input	Front	Pointer color	Supply	Code
8 - 16 V	Black	Black	52 mm	CAN Bus or direct	IP 66	Red	9-32 VDC	RE 71817
8 - 16 V	Black	White	52 mm	CAN Bus or direct	IP 66	Red	9-32 VDC	RE 71818
18 - 26 V	Black	Black	52 mm	CAN Bus or direct	IP 66	Red	9-32 VDC	RE 71819
18 - 26 V	Black	White	52 mm	CAN Bus or direct	IP 66	Red	9-32 VDC	RE 71820

ENERGY GAUGES



Range level	Frame color	Dial color	Gauge diameter	Input	Front	Pointer color	Supply	Code
0 - 100 L/H	Black	Black	52 mm	CAN Bus - SAE J193	IP 66	Red	9-32 VDC	RE 71821
0 - 100 L/H	Black	White	52 mm	CAN Bus - SAE J193	IP 66	Red	9-32 VDC	RE 71822

SAN GIORGIO S.E.I.N INSTRUMENTS



TACHOMETERS

Electronic microprocessor tachometers with actual hour-counter
Perfect control of optimal engine regime and service intervals
Link to the universal plug alternator W

On demand:

Models link to the generator pulse VEGLIA

Models link to the generator pulse VDO

Range RPM	Input	Bezel color	Background color	Voltage supply	Housing diameter	Frontal IP	Pointer color	Code
0 - 3000	W	Black	Black	12/24 V	100 mm	IP 66	Red	RE 71500
0 - 3000	W	Chromed	White	12/24 V	100 mm	IP 66	Red	RE 71501
0 - 4000	W	Black	Black	12/24 V	85 mm	IP 66	Red	RE 71502
0 - 4000	W	Chromed	White	12/24 V	85 mm	IP 66	Red	RE 71503
0 - 5000	W	Black	Black	12/24 V	85 mm	IP 66	Red	RE 71504
0 - 5000	W	Chromed	White	12/24 V	85 mm	IP 66	Red	RE 71505



PULSE GENERATOR

If the engine is not equipped with a standard alternator
A compatible generator is available

Omni Link
LITE

Range	Layout	Voltage supply	Code
All range	18 x 1,5	12 - 24 V	RE 71525



SYNCHRO INDICATORS

Precision indicator with central index

These indicators estimates the difference between the rotation of the two engines,

Assisting the synchronization

The connection can be made directly on the claps of the tachometer

No need of additional sensors

Omni Link
LITE

Engine rpm ±	Frame color	Dial color	Instrument diameter	Input	Front	Indicator color	Code
400 rpm	Black	Black	85 mm	W or pick-up	IP 66	White	RE 71823
400 rpm	Black	White	85 mm	W or pick-up	IP 66	Red	RE 71824



RUDDER

Compatible with sensors at 10-180ohm, 0-1 ohm.

CanBus can configure itself in master mode or repeater

with the conversion and transmission system CAN BUS,

It is possible to connect up to 15 repeater instruments at 200mt

with no signal amplifier

Omni Link
LITE

Rudder range ±	Frame color	Dial color	Instrument diameter	Input	Front	Indicator color	Code
45 °	Black	Black	85 mm	CAN Bus or 10-180 ohm	IP 66	White	RE 71825
45 °	Black	White	85 mm	CAN Bus or 10-180 ohm	IP 66	Red	RE 71826



COMBINED SPEED-LOG OMNI LINK LINE

It is a multifunction instrument for monitoring the speed of a ship
It is compatible with traditional through-hull sensors
and with GPS with NMEA0183 output
If you connect the instrument to a combined sensor (speed, depth, temperature)
or to an extra depth-log with NMEA0183 output, you can display depth and
temperature on LCD

Range level	Frame color	Dial color	Instrument diameter	Input	Front	Supply	Code
0 - 40 Kn	Black	Black	85 mm	Frequency or NMEA0183	IP 66	9-32 VDC	RE 71827
0 - 40 Kn	Black	White	85 mm	Frequency or NMEA0183	IP 66	9-32 VDC	RE 71828
0 - 60 Kn	Black	Black	85 mm	Frequency or NMEA0183	IP 66	9-32 VDC	RE 71829
0 - 60 Kn	Black	White	85 mm	Frequency or NMEA0183	IP 66	9-32 VDC	RE 71830



DEPHT-LOG OMNI LINK LINE

For depth, temperature and speed log with NMEA0183 output
The range can be displayed on the analog dial (0-50m)
On LCD display you can see the depth (0-99.9m),
temperature and speed
In the menu, you can enable and configure the alarm and activates the signal,
for being warned when depth is low

Range level	Frame color	Dial color	Instrument diameter	Input	Front	Supply	Code
0-50 m - 0-99 m	Black	Black	85 mm	Frequency or NMEA0183	IP 66	9-32 VDC	RE 71831
0-50 m - 0-99 m	Black	White	85 mm	Frequency or NMEA0183	IP 66	9-32 VDC	RE 71832



DEPTH AND SPEED LOG

It is possible to use the combined instrument or, for speed only,
a propeller sensor to be connected to the input at the available frequency

Function	Output	Notes	Code
Speed	Frequency	Through-hull	RE 71833
Depth	NMEA0183	Through-hull	RE 71834
Speed, depth and temperature	NMEA0183	Through-hull	RE 71835



ECOMETER

It calculates in real-time the efficiency of the consume
(in relation to speed/consume), and it is the first instrument which can suggest the most efficient speed
and it guarantees the lowest consume and the longest autonomy.
This instrument gains the speed from the GPS and consume with the parameters from the control unit.
It can display:

- Immediate efficiency
- Indicator pointer for rising or decreasing the speed
- Knots speed
- Immediate consume lt/hour
- Partial consume, resettable. Total consume, not resettable

Range level	Frame color	Dial color	Instrument diameter	Input	Front	Indicator color	Supply	Code
0 - 20 l/hm	Black	Black	85 mm	CAN Bus	IP 66	Red	9-32 VDC	RE 71836
0 - 20 l/hm	Black	White	85 mm	CAN Bus	IP 66	Red	9-32 VDC	RE 71837



MULTIFUNCTION INSTRUMENT – METEOLINK

Designed for supervise and display a wide range of meteo and navigation data, achieved by a specific sensor or by any sensor with an NMEA compatible output

- Measurements:
- Speed of the apparent head wind
 - Direction of the apparent head wind
 - Speed of the actual northern wind
 - Direction of the actual northern wind
 - Air temperature
 - Barometric pressure
 - Speed opposite ground
 - Direction opposite ground

Range level	Frame color	Dial color	Instrument diameter	Input	Front	Indicator color	Supply	Code
0 - 80 Kn	Black	Black	85 mm	NMEA0183	IP 66	Red	9-32 VDC	RE 71838
0 - 80 Kn	Black	White	85 mm	NMEA0183	IP 66	Red	9-32 VDC	RE 71839



NAVIGATION AND METEO SENSOR

Innovative combined electronic sensor which includes one GPS, one compass and one ultrasound anemometer:

- Measurements:
- Apparent and actual speed and wind direction
 - Barometric pressure
 - Air temperature
 - Speed of ship's direction
 - Provided with a 10m cable

Input	Supply	Code
NMEA0183	9-16 V	RE 71840

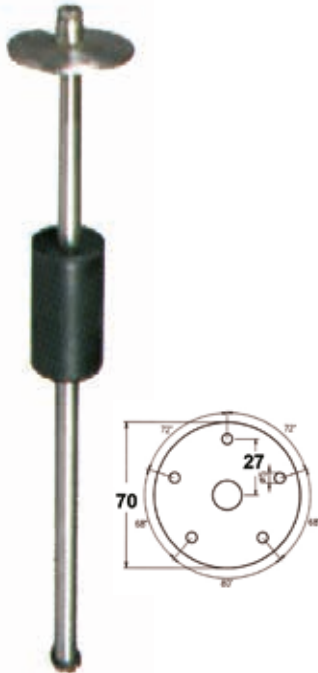


MULTIFUNCTION TACHOMETER – OMNILINK SERIES

Designed for gauging the most important parameters of the engine, including them in one easy-to-read and compact unit

- Measurements:
- Engine revolutions
 - Water engine temperature
 - Pressure of the engine oil
 - Alarm for low oil pressure
 - Oil engine temperature
 - Alarm for high oil temperature
 - Pressure of turbo air
 - Pressure of inverter oil
 - Alarm of low pressure of inverter oil
 - Consume l/h
 - Battery supply
 - Alarm for low battery supply
 - Fuel level
 - Alarm of low fuel level

Range level	Frame color	Dial color	Instrument diameter	Input	Front	Indicator color	Supply	Code
0 - 3000 rpm	Black	Black	85 mm	CAN Bus, W, Pick Up	IP 66	Red	9-32 VDC	RE 71841
0 - 3000 rpm	Black	White	85 mm	CAN Bus, W, Pick Up	IP 66	Red	9-32 VDC	RE 71842
0 - 4000 rpm	Black	Black	85 mm	CAN Bus, W, Pick Up	IP 66	Red	9-32 VDC	RE 71843
0 - 4000 rpm	Black	White	85 mm	CAN Bus, W, Pick Up	IP 66	Red	9-32 VDC	RE 71844
0 - 5000 rpm	Black	Black	85 mm	CAN Bus, W, Pick Up	IP 66	Red	9-32 VDC	RE 71845
0 - 5000 rpm	Black	White	85 mm	CAN Bus, W, Pick Up	IP 66	Red	9-32 VDC	RE 71846



VERTICAL SENSOR (WATER AND FUEL)

For San Giorgio instruments (Veglia calibrated)

In stainless steel (hose of 14mm) and full float (42mm diameter). Reed relay operating, earth insulated

Range	Voltage	Negative	Flange diameter	Holes	Float diameter	Installation hole	Output	Code
160 mm	12 - 24 V	Ground	70 mm	5	42 mm	50 mm	300-10 Ω	RE 71410
200 mm	12 - 24 V	Ground	70 mm	5	42 mm	50 mm	300-10 Ω	RE 71411
250 mm	12 - 24 V	Ground	70 mm	5	42 mm	50 mm	300-10 Ω	RE 71412
300 mm	12 - 24 V	Ground	70 mm	5	42 mm	50 mm	300-10 Ω	RE 71414
350 mm	12 - 24 V	Ground	70 mm	5	42 mm	50 mm	300-10 Ω	RE 71416
380 mm	12 - 24 V	Ground	70 mm	5	42 mm	50 mm	300-10 Ω	RE 71417
400 mm	12 - 24 V	Ground	70 mm	5	42 mm	50 mm	300-10 Ω	RE 71418
450 mm	12 - 24 V	Ground	70 mm	5	42 mm	50 mm	300-10 Ω	RE 71419
500 mm	12 - 24 V	Ground	70 mm	5	42 mm	50 mm	300-10 Ω	RE 71420
550 mm	12 - 24 V	Ground	70 mm	5	42 mm	50 mm	300-10 Ω	RE 71421
600 mm	12 - 24 V	Ground	70 mm	5	42 mm	50 mm	300-10 Ω	RE 71422
650 mm	12 - 24 V	Ground	70 mm	5	42 mm	50 mm	300-10 Ω	RE 71423
700 mm	12 - 24 V	Ground	70 mm	5	42 mm	50 mm	300-10 Ω	RE 71424
750 mm	12 - 24 V	Ground	70 mm	5	42 mm	50 mm	300-10 Ω	RE 71425
800 mm	12 - 24 V	Ground	70 mm	5	42 mm	50 mm	300-10 Ω	RE 71426
850 mm	12 - 24 V	Ground	70 mm	5	42 mm	50 mm	300-10 Ω	RE 71427
900 mm	12 - 24 V	Ground	70 mm	5	42 mm	50 mm	300-10 Ω	RE 71428
950 mm	12 - 24 V	Ground	70 mm	5	42 mm	50 mm	300-10 Ω	RE 71429

On request is available with VDO calibration

In your order, you have to specify the same code of trasducers adding the V letter i.e. RE 71410/V



WASTE AND GRAY WATER SENSOR LEVEL

REED Technology is equipped with a special S/Steel cylindric float, designed for preventing malfunctions caused by waste impurities. Features:

- Corrosion resistant
- Self-cleaning action
- Its shape and the materials are designed for reducing the deposits

Range	Supply	Round flange	Holes	Float diameter	Output	Code
160 mm	12 - 24 V	70 mm	5	45 mm	300-10 Ohm	RE 71850
200 mm	12 - 24 V	70 mm	5	45 mm	300-10 Ohm	RE 71851
250 mm	12 - 24 V	70 mm	5	45 mm	300-10 Ohm	RE 71852
300 mm	12 - 24 V	70 mm	5	45 mm	300-10 Ohm	RE 71853
350 mm	12 - 24 V	70 mm	5	45 mm	300-10 Ohm	RE 71854
380 mm	12 - 24 V	70 mm	5	45 mm	300-10 Ohm	RE 71855
400 mm	12 - 24 V	70 mm	5	45 mm	300-10 Ohm	RE 71856
450 mm	12 - 24 V	70 mm	5	45 mm	300-10 Ohm	RE 71857
500 mm	12 - 24 V	70 mm	5	45 mm	300-10 Ohm	RE 71858
550 mm	12 - 24 V	70 mm	5	45 mm	300-10 Ohm	RE 71859
600 mm	12 - 24 V	70 mm	5	45 mm	300-10 Ohm	RE 71860
650 mm	12 - 24 V	70 mm	5	45 mm	300-10 Ohm	RE 71861



'CAR MODEL' FUEL LEVEL SENSOR

Due to its system and adjustable length, this sensor can be installed on every tank with 70mm or 75mm flange and with a depth between 300 and 600 mm.

It can be used for gasoline, oil and fuel. Optional alarm at 10% can be provided.

Range	Voltage	Diameter	Holes	Alarm	Output	Code
300 - 600 mm	12 - 24V	70 mm	5	NO	300-10 Ohm	RE 71862
300 - 600 mm	12 - 24V	70 mm	5	YES	300-10 Ohm	RE 71863
300 - 600 mm	12 - 24V	75 mm	6	NO	300-10 Ohm	RE 71864
300 - 600 mm	12 - 24V	75 mm	6	YES	300-10 Ohm	RE 71865

BILGE LEVEL SWITCH

Floating bilge switch for water alarm – 1 contact

RE 71409



TEMPERATURE SENSORS

1 common negative pole

Range °C	Threading	Key	Negative	Voltage supply	Calibration	Connections	Code
0 - 150°	M 14x1,5	19	Ground	6 - 24 V	992-50 Ω	1 Faston	RE 71460
0 - 150°	M 16x1,5	19	Ground	6 - 24 V	992-50 Ω	1 Faston	RE 71461



TEMPERATURE SENSORS

2 insulated pole

Range °C	Threading	Key	Poly	Voltage supply	Calibration	Connections	Code
0 - 150°	M 14x1,5	22	Isolated	6 - 24 V	992-50 Ω	2 Faston	RE 71462
0 - 150°	M 16x1,5	22	Isolated	6 - 24 V	992-50 Ω	2 Faston	RE 71463



HIGH TEMPERATURE ALARM SENSORS

With high temperature alarm

Alarm °C	Threading	Key	Voltage supply	Connections	Code
95°	M 14x1,5	22	6 - 24 V	2 Faston	RE 71467
100°	M 14x1,5	19	6 - 24 V	1 Faston	RE 71468
109°	M 16x1,5	22	6 - 24 V	1 Faston	RE 71469
135°	M 14x1,5	22	6 - 24 V	1 Faston	RE 71470



TEMPERATURE SENSOR 1 POLE + ALARM

Negative ground

Range °C	Alarm °C	Threading	Wrench	Voltage	Output	Connections	Code
0 - 120°	107°	M16 x 1,5	22	6 - 24 V	992-50 ohm	2 Faston	RE 71870
0 - 120°	115°	M14 x 1,5	22	6 - 24 V	992-50 ohm	2 Faston	RE 71871
0 - 120°	107°	M14 x 1,5	22	6 - 24 V	992-50 ohm	2 Faston	RE 71872
0 - 120°	100°	M14 x 1,5	22	6 - 24 V	992-50 ohm	2 Faston	RE 71873
0 - 150°	130°	M16 x 1,5	22	6 - 24 V	992-50 ohm	2 Faston	RE 71874
0 - 120°	100°	M16 x 1,5	22	6 - 24 V	992-50 ohm	2 Faston	RE 71875



HIGH TEMPERATURE ALARM CONTACTS

Negative ground

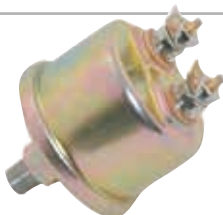
Alarm °C	Threading	Wrench	Contact	Voltage	Connections	Code
60°	M14 x 1,5	19	SS	6 - 24 V	1 pole	RE 71876
65°	M14 x 1,5	19	SS	6 - 24 V	1 pole	RE 71877
65°	M18 x 1,5	22	SS	6 - 24 V	1 pole	RE 71878
80°	M14 x 1,5	22	SS	6 - 24 V	1 pole	RE 71879
92°	M14 x 1,5	19	SS	6 - 24 V	1 pole	RE 71880
95°	M14 x 1,5	22	SS	6 - 24 V	1 pole	RE 71881
100°	M14 x 1,5	19	SS	6 - 24 V	1 pole	RE 71882
105°	M14 x 1,5	19	SS	6 - 24 V	1 pole	RE 71883
110°	M14 x 1,5	19	SS	6 - 24 V	1 pole	RE 71884
130°	M14 x 1,5	22	SS	6 - 24 V	1 pole	RE 71885
135°	M14 x 1,5	22	SS	6 - 24 V	1 pole	RE 71886



PRESSURE SENSOR

1 ground pole

Range	Threading	Wrench	Output	Voltage	Negative	Connections	Code
0-8 bar	M 10x1	17	240-30 Ω	6-24 V	Ground	1 Faston	RE 71408
0-8 bar	M 14x1,5	19	240-30 Ω	6-24 V	Ground	1 Faston	RE 71443
0-24 bar	M 10x1	17	240-30 Ω	6-24 V	Ground	1 Faston	RE 71444
0-24 bar	M 14x1,5	19	240-30 Ω	6-24 V	Ground	1 Faston	RE 71445



PRESSURE SENSOR

2 insulated poles

Range	Threading	Wrench	Output	Voltage	Poles	Connections	Code
0-8 bar	M 10x1	17	240-30 Ω	6-24 V	2 isolated	2 Faston	RE 71446
0-24 bar	M 10x1	14	240-30 Ω	6-24 V	2 isolated	2 Faston	RE 71447



ADJUSTABLE PRESSURE ALARM SWITCH

Range	Threading	Wrench	Contact	Voltage	Poles	Code
0,2-2,5 bar	M 10x1	24	N.A	6-24 V	2 isolated	RE 71450
5-50 bar	M 10x1	24	N.A	6-24 V	2 isolated	RE 71451



PRESSURE SENSOR 1 POLE+ALARM

Range	Threading	Wrench	Alarm	Voltage	Output	Connections	Code
0-8 bar	M14 x 1,5	19	0,8 bar	6-24 V	240-30 ohm	1 pole	RE 71666
0-8 bar	M10x1	17	0,8 bar	6-24 V	240-30 ohm	1 pole	RE 71667



PRESSURE CONTACTS

Threading	Alarm	Wrench	Contact	Voltage	Connections	Code
M10 x 1	0,3 bar	24	SF	6-24 V	1 pole	RE 71887
M10 x 1	0,8 bar	24	SF	6-24 V	1 pole	RE 71888
M12 x 1	0,1 bar	24	SF	6-24 V	isolated	RE 71889
M10 x 1	0,5 bar	24	SF	6-24 V	1 pole	RE 71890
M10 x 1	1 bar	24	SF	6-24 V	1 pole	RE 71891
M12 x 1	0,05 bar	24	SF	6-24 V	1 pole	RE 71892



JOINTS AND ADAPTORS

Female threading	Male threading	Wrench	Code
M10 x 1	M14 x 1,5	19	RE 71893
M10 x 1	M18 x 1,5	24	RE 71894
M10 x 1	M16 x 1,5	24	RE 71895
M10 x 1	"1/4" 18 NTPF"	24	RE 71896
M10 x 1	"3/8" 18 NTPF"	19	RE 71897
M14 x 1,5	M16 x 1,5	19	RE 71898
M14 x 1,5	M18 x 1,5	23	RE 71899
M14 x 1,5	"3/8" 18 NTPF"	19	RE 71900
M14 x 1,5	"1/4" 18 NTPF"	22	RE 71901

TACHOMETER

The Viewline rev counter with or without operating hours counter (EHC).
 Can be connected to conventional marine engines (no data bus).
 8 - 32 V operation. 85 mm installation diameter. 8 pole Tyco/Hirschmann bush housing
 +/- 2.5 angle degree precision.
 100 mA current consumption with an LED warning light as standard
 Up to five optional warning lights
 Optional 2nd frequency input (on devices with display)
 Connection for external switch keys for display toggling
 Connection for external alerts (options)
 Various pulse numbers adjustable via switch keys and/or software
 Anti-fog double lens. Degree of protection: IP 67



TACHOMETER WITH HOURS COUNTER Ø 85 MM

Range	Frame color	Dial color	Ø	Supply	Signal	Code
0-3000	Black	Black	85 mm	8 - 32 V	W, 1, Inductive, Gen. Tac., Hall	RE 71656
0-3000	White	White	85 mm	8 - 32 V	W, 1, Inductive, Gen. Tac., Hall	RE 71657
0-4000	Black	Black	85 mm	8 - 32 V	W, 1, Inductive, Gen. Tac., Hall	RE 71658
0-4000	White	White	85 mm	8 - 32 V	W, 1, Inductive, Gen. Tac., Hall	RE 71659
0-5000	Black	Black	85 mm	8 - 32 V	W, 1, Inductive, Gen. Tac., Hall	RE 71660
0-5000	White	White	85 mm	8 - 32 V	W, 1, Inductive, Gen. Tac., Hall	RE 71661
0-6000	Black	Black	85 mm	8 - 32 V	W, 1, Inductive, Gen. Tac., Hall	RE 71662
0-6000	White	White	85 mm	8 - 32 V	W, 1, Inductive, Gen. Tac., Hall	RE 71663
0-7000	Black	Black	85 mm	8 - 32 V	W, 1, Inductive, Gen. Tac., Hall	RE 71664
0-7000	White	White	85 mm	8 - 32 V	W, 1, Inductive, Gen. Tac., Hall	RE 71665
0-8000	Black	Black	85 mm	8 - 32 V	W, 1, Inductive, Gen. Tac., Hall	RE 71674
0-8000	White	White	85 mm	8 - 32 V	W, 1, Inductive, Gen. Tac., Hall	RE 71675



TACHOMETER Ø 85 MM

Range	Frame color	Dial color	Ø	Supply	Signal	Code
0-3000	Black	Black	85 mm	8 - 32 V	W, 1	RE 71668
0-3000	White	White	85 mm	8 - 32 V	W, 1	RE 71669
0-4000	Black	Black	85 mm	8 - 32 V	W, 1	RE 71670
0-4000	White	White	85 mm	8 - 32 V	W, 1	RE 71671
0-6000	Black	Black	85 mm	8 - 32 V	W, 1	RE 71672
0-6000	White	White	85 mm	8 - 32 V	W, 1	RE 71673



DEPTH GAUGE

The ViewLine depth indicator measures water depth.
 The integrated alarm, which can be configured to the user's specification, ensures safe passage through shallow waters. 8 and 14 pole Tyco / Hirschmann bush housing.
 Accuracy +/- 2.5% (depending on the nature of the bottom and water quality).
 Current consumption <150 mA, with integrated warning light (LED).
 Warning light for configurable shallow water alarm. NMEA input for active NMEA 0183 depth sensor.
 Display with various functions, e. g., water temperature, depth, shallow water alarm, time, voltage, etc.
 Reverse polarity protection. Anti-fog double lens. Front side protection rating IP67. 50mm installation depth.

Range meter	Background color	Diameter	Voltage	Code
0-3000	Black	85 mm	8 - 32 V	RE 71676
0-3000	White	85 mm	8 - 32 V	RE 71677



SYNCHRONIZER

The Viewline synchronizer is an indispensable aid in guaranteeing the correct synchronous running of both drive units. 8 - 32 V operation. 85 mm installation diameter. 8 pole Tyco/Hirschmann bush housing. +/- 2.5° angle degree precision. 100 mA current consumption.. Second supplementary frequency input Connection for external alerts (option). Various pulse numbers adjustable via switch keys and/or software. Anti-fog double lens. Degree of protections: IP 67.

Range	Frame color	Dial color	Ø	Supply	Signal	Code
± 500	Black	Black	85 mm	8 - 32 V	W, 1, Inductive	RE 71680
± 500	White	White	85 mm	8 - 32 V	W, 1, Inductive	RE 71681



SPEED INDICATOR GPS

This multifunctional gauge with segment display is intended for use in the marine market in open boats. Based on the ViewLine housing concept, the cluster provides an ideal IP protection class, a modern appearance and high quality standards. Embedded GPS antenna. Robust and flexible design for versatile applications. CAN capability (NMEA 2000). Pointer for analog indication of Speed over Ground (SOG). Programmable speed alarm. Fixed segment LC display. Flush mount possibility. Front side protection rating IP 67. Compass for Course over Ground (COG). Clock. 110 mm installation diameter. 126 mm outer diameter. 50 mm installation depth.

Range	Voltage	Operating temperature	Code
0 - 12 knots/kmh/mph	8.5 - 16 V	-20° / + 85 °C	RE 71650
0 - 35 knots/kmh/mph	8.5 - 16 V	-20° / + 85 °C	RE 71652
0 - 70 knots/kmh/mph	8.5 - 16 V	-20° / + 85 °C	RE 71654



RUDDER ANGLE

The Viewline rudder angle instrument ,for wheel-controlled yachts, displays the current rudder position at all times. 8-32 V operation. Mechanical specification such as rev counter and tachometer. 85 mm installation diameter. 8 pole Tyco/Hirschmann bush housing. <100 mA current consumption. Anti-fog double lens. Degree of protections IP 67.

RUDDER ANGLE Ø 85 MM

Range	Frame color	Dial color	Ø	Supply	Code
± 45 °	Black	Black	85 mm	8 - 32 V	RE 71682
± 45 °	White	White	85 mm	8 - 32 V	RE 71683

RUDDER ANGLE Ø 52 MM

Range	Frame color	Dial color	Ø	Supply	Code
± 40 °	Black	Black	52 mm	8 - 32 V	RE 71684
± 40 °	White	White	52 mm	8 - 32 V	RE 71685



RUDDER ANGLE SENSOR

Supply	Measuring range	Connection angle length	Connection	Resistance range Ohm	OEM	Code
12-24 V	± 45 °	35.....125 mm	2 M3 studs	10.....180	440-102-001-001	RE 71118

RUDDER ANGLE SENSOR FOR DUAL STATION

Supply	Measuring range	Connection angle length	Connection	Resistance range Ohm	OEM	Code
12-24 V	± 45 °	35.....125 mm	2 M3 studs	5.....90	440-102-002-001	RE 71119

WATER TEMPERATURE INDICATOR Ø 52 MM

The temperature gauge displays any sudden rise in coolant temperature, helping to prevent serious damage and the associated expense. 8 pole Tyco/Hirschmann MQS plug. +/-3.6° angle degree accuracy over the entire display area. Current consumption <130 mA with LED warning light. Reverse polarity protection. Input signal: Standard Ohm values. 90° display angle. Anti-fog double lens. Front panel in compliance with IP 67 protection rating. Red LED warning light. Optional makepoint switch can be connected.



WATER TEMPERATURE INDICATOR Ø 52 MM

Range	Comparative range	Frame color	Dial color	Ø	Supply	Code
40° - 120° C	105° - 250° F	Black	Black	52 mm	8 - 32 V	RE 71686
40° - 120° C	105° - 250° F	White	White	52 mm	8 - 32 V	RE 71687
105° - 250° F	40° - 120° C	Black	Black	52 mm	8 - 32 V	RE 71688
105° - 250° F	40° - 120° C	White	White	52 mm	8 - 32 V	RE 71689



OIL TEMPERATURE INDICATOR Ø 52 MM

Range	Comparative range	Frame color	Dial color	Ø	Supply	Code
50° - 150° C	120° - 300° F	Black	Black	52 mm	8 - 32 V	RE 71690
50° - 150° C	120° - 300° F	White	White	52 mm	8 - 32 V	RE 71691
120° - 300° F	50° - 150° C	Black	Black	52 mm	8 - 32 V	RE 71692
120° - 300° F	50° - 150° C	White	White	52 mm	8 - 32 V	RE 71693

HOURS COUNTER (OHC)

The Viewline operating hours counter makes it easy to stick to a proper maintenance schedule. It is only activated when the engine is running so only genuine engine operating hours are counted. Display angle 240°. 8 pole Tyco/Hirschmann MQS plug. Indication error <2,5 angle degree over the entire display area. Current consumption <100 mA with LED function light (green). Integrated red LED warning light. Reverse polarity protection. Anti-fog double lens. Degree of protection: IP67.



Range	Frame color	Dial color	Ø	Supply	Code
0 - 99999,9 hours	Black	Black	52 mm	9 - 30 V	RE 71695
0 - 99999,9 hours	White	White	52 mm	9 - 30 V	RE 71694

TRIM INSTRUMENT

The trim gauge provides information about the position of the Z-drive in relation to the boat's stern and optimise the boat's trim. LED background illumination (transmitted light). Exchangeable front rings. Red LED warning lamp. IP 67 protection class, Anti-fog double lens.



Range	Frame color	Dial color	Ø	Supply	Code
167 - 10 Ohm	Black	Black	52 mm	8 - 32 V	RE 71696
167 - 10 Ohm	White	White	52 mm	8 - 32 V	RE 71697

PRESSURE GAUGE (MANOMETER) Ø 52 MM

The pressure gauge detects fluctuations in engine and gearbox oil pressure, and changes in turbocharger boost. 8 pole Tyco/Hirschmann MQS plug. +/-3.6° angle degree accuracy over the entire display area. Operating voltage 10 - 16 V, 16 - 32 V with dropping resistor. Current consumption <130 mA with LED warning light. Reverse polarity protection. Input signal: Standard Ohm values. 90° display angle. 52 mm installation diameter. Anti-fog double lens
Degree of protection: IP 67
Red LED warning light
Optional makepoint switch can be connected.



ENGINE OIL PRESSURE INDICATORS Ø 52 MM

Range level	Comparative level	Frame color	Dial color	Ø	Supply	Resistance range	Code
0 - 5 Bar	0 - 80 Psi	Black	Black	52 mm	8 - 32 V	10 - 184 Ohm	RE 71700
0 - 5 Bar	0 - 80 Psi	White	White	52 mm	8 - 32 V	10 - 184 Ohm	RE 71701
0 - 10 Bar	0 - 150 Psi	Black	Black	52 mm	8 - 32 V	10 - 184 Ohm	RE 71702
0 - 10 Bar	0 - 150 Psi	White	White	52 mm	8 - 32 V	10 - 184 Ohm	RE 71703
0 - 25 Bar	0 - 350 Psi	Black	Black	52 mm	8 - 32 V	10 - 184 Ohm	RE 71710
0 - 25 Bar	0 - 350 Psi	White	White	52 mm	8 - 32 V	10 - 184 Ohm	RE 71723
0 - 30 Bar	0 - 435 Psi	Black	Black	52 mm	8 - 32 V	10 - 184 Ohm	RE 71711
0 - 30 Bar	0 - 435 Psi	White	White	52 mm	8 - 32 V	10 - 184 Ohm	RE 71744
0 - 80 Psi	0 - 5 Bar	Black	Black	52 mm	8 - 32 V	10 - 184 Ohm	RE 71704
0 - 80 Psi	0 - 5 Bar	White	White	52 mm	8 - 32 V	10 - 184 Ohm	RE 71705
0 - 150 Psi	0 - 10 Bar	White	White	52 mm	8 - 32 V	10 - 184 Ohm	RE 71709
0 - 400 Psi	0 - 25 Bar	Black	Black	52 mm	8 - 32 V	10 - 184 Ohm	RE 71712
0 - 400 Psi	0 - 25 Bar	White	White	52 mm	8 - 32 V	10 - 184 Ohm	RE 71714

TURBINE OIL PRESSURE GAUGE Ø 52 MM

Range level	Comparative level	Frame color	Dial color	Ø	Supply	Resistance range	Code
0 - 2 Bar	0 - 30 Psi	Black	Black	52 mm	8 - 32 V	10 - 184 Ohm	RE 71715
0 - 2 Bar	0 - 30 Psi	White	White	52 mm	8 - 32 V	10 - 184 Ohm	RE 71716

EXTERNAL AIR TEMPERATURE

It signals sudden temperature augmentation. LED illumination, double anti-fog lens, IP67 protection. Front and installation diameter 52 mm.



Range	Frame color	Dial color	Ø	Supply	Input	Code
- 25° + 50° C	Black	Black	52 mm	8 - 32 V	2 k Ohm	RE 71910
- 25° + 50° C	White	White	52 mm	8 - 32 V	2 k Ohm	RE 71911
- 10° + 120° F	Black	Black	52 mm	8 - 32 V	2 k Ohm	RE 71912
- 10° + 120° F	White	White	52 mm	8 - 32 V	2 k Ohm	RE 71913

ELECTRONIC PRESSURE SENSOR EPS

The active pressure sensors with voltage output are used to measure pressure of gaseous and liquid media in a variety of applications at various locations. The pressure sensor unit is based on a stainless steel sensing element and converts fluctuations of measuring medium into a pressure-proportional electrical output signal (0.5 – 4.5 V)



Range bar	Voltage	Thread	Code
10 Bar	8 - 32 V	M12 x 1.5	RE 71138
16 Bar	8 - 32 V	M12 x 1.5	RE 71139
30 Bar	8 - 32 V	M12 x 1.5	RE 71140

LEVEL GAUGE Ø 52 MM

Provides information about the fuel level in the tank
 Can be used with all different types of tank sensors.
 8 pole Tyco/Hirschmann MQS plug
 +/-3.6° angle degree accuracy over the entire display area
 Current consumption <130 mA with LED warning light
 Reverse polarity protection
 Input signal: Standard Ohm values
 90° display angle
 52 mm installation diameter Anti-fog double lens
 Degree of protection: IP 67
 Red LED warning light
 Optional makepoint switch can be connected



FUEL LEVEL GAUGE Ø 52 MM

Range	Frame color	Dial color	Ø	Supply	Resistance range	Code
0 - 1/1	Black	Black	52 mm	8 - 32V	3 - 180 Ohm	RE 71718
0 - 1/1	White	White	52 mm	8 - 32V	3 - 180 Ohm	RE 71719
0 - 1/1	Black	Black	52 mm	8 - 32V	90 - 4 Ohm	RE 71720
0 - 1/1	White	White	52 mm	8 - 32V	90 - 4 Ohm	RE 71721
E - F	Black	Black	52 mm	8 - 32V	90 - 4 Ohm	RE 71724
E - F	White	White	52 mm	8 - 32V	90 - 4 Ohm	RE 71725
E - F	Black	Black	52 mm	8 - 32V	0 - 90 Ohm	RE 71726
E - F	White	White	52 mm	8 - 32V	0 - 90 Ohm	RE 71727
E - F	Black	Black	52 mm	8 - 32V	240 - 33,5 Ohm	RE 71745
E - F	White	White	52 mm	8 - 32V	240 - 33,5 Ohm	RE 71746

FRESH WATER LEVEL GAUGE Ø 52 MM

Range	Frame color	Dial color	Type	Ø	Supply	Input	Code
0 - 1/1	Black	Black	Capacitive	52 mm	8 - 32V	4 - 20 mA	RE 71728
0 - 1/1	White	White	Capacitive	52 mm	8 - 32V	4 - 20 mA	RE 71729
0 - 1/1	Black	Black	Resistive	52 mm	8 - 32V	3 - 180 Ohm	RE 71730
0 - 1/1	White	White	Resistive	52 mm	8 - 32V	3 - 180 Ohm	RE 71731
E - F	Black	Black	Resistive	52 mm	8 - 32V	3 - 180 Ohm	RE 71732
E - F	White	White	Resistive	52 mm	8 - 32V	3 - 180 Ohm	RE 71733



BLACKWATER LEVEL GAUGE Ø 52 MM

Range	Frame color	Dial color	Ø	Supply	Input	Code
0 - 1/1	Black	Black	52 mm	8 - 32V	4 - 20 mA	RE 71734
0 - 1/1	White	White	52 mm	8 - 32V	4 - 20 mA	RE 71735



VOLTMETERS Ø 52 MM

The voltmeter displays the status of generator and battery and their loads on a voltage scale. Values exceeding the normal charging voltages can therefore be monitored exactly. In addition, even potential deep discharges can be detected. 8 pole Tyco/Hirschmann MQS plug. +/-3.6° angle degree accuracy over the entire display area. Current consumption <130 mA with LED warning light. Reverse polarity protection. 90° display angle - Anti-fog double lens. Front panel in compliance with IP 67 protection rating. Red LED warning light.

Range	Frame color	Dial color	Ø	Code
8 - 16 V	Black	Black	52 mm	RE 71736
8 - 16 V	White	White	52 mm	RE 71737
18 - 32 V	Black	Black	52 mm	RE 71738
18 - 32 V	White	White	52 mm	RE 71739



PIROMETER

The pyrometer indicates the exhaust temperature LED background illumination IP 67 protection class Anti-fog double lens. Diameter for installation 52mm

Range	Input	Frame color	Dial color	Ø	Supply	Code
100° 900° C	37 mV	Black	Black	52 mm	8 - 32 V	RE 71920
100° 900° C	37 mV	White	White	52 mm	8 - 32 V	RE 71921
250° 1650° F	37 mV	Black	Black	52 mm	8 - 32 V	RE 71922
250° 1650° F	37 mV	White	White	52 mm	8 - 32 V	RE 71923



PIROMETER SENSOR

Pyrometer sensor for temperature measurement.

Range	Terminals	Code
100 - 900° C	Yellow = Positive	RE 71141



WATCH

Range level	Colore cornice	Colore sfondo	Ø	Supply	Code
3 - 6 - 9 - 12	Black	Black	52 mm	8 - 16 V	RE 71924
3 - 6 - 9 - 12	White	White	52 mm	8 - 16 V	RE 71925
3 - 6 - 9 - 12	Black	Black	52 mm	18 - 32 V	RE 71926
3 - 6 - 9 - 12	White	White	52 mm	18 - 32 V	RE 71927



AMMETERS Ø 52 MM

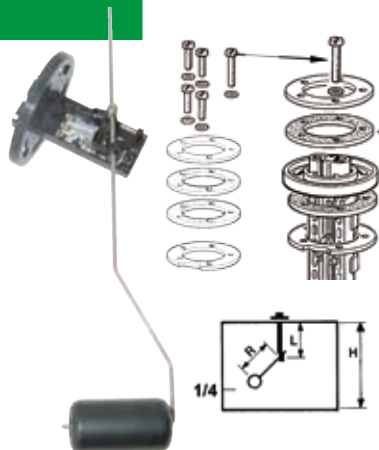
The ammeter provides an overview of the entire electrical system. The level of current being drawn and the supply current are clearly displayed, and the shunt – a measurement resistor can be inserted into the measurement point in a matter of seconds. The fine connecting cable that runs from the shunt to the gauge is easy to lay without taking up much space. 240° display angle 240°. 8 pole Tyco/Hirschmann MQS plug. < 2.5°-angle degree accuracy over the entire display area. Current consumption <100 mA with LED warning light. Integrated red LED warning light. Reverse polarity protection. Anti-fog double lens. Degree of protection: IP 67 Programmable warning point (PC software).

Range level	Frame color	Dial color	Ø	Supply	Code
0 + - 60	Black	Black	52 mm	8 - 32 V	RE 71740
0 + - 60	White	White	52 mm	8 - 32 V	RE 71741
0 + - 150	Black	Black	52 mm	8 - 32 V	RE 71742
0 + - 150	White	White	52 mm	8 - 32 V	RE 71743

Shunt 60A-60mV
Shunt 150A-60mV

RE 71698
RE 71699





ADJUSTABLE LEVEL SENSOR

FOR FUEL TANK

It's possible to cut the lever to adapt to the tank height

OEM	Tank height mm	Power supply	Negative	Range	Alarm for LOWLEV	Double floating indicat.	Mounting circular flange	Mounting kit flange	Code
226-801-015-001	150 - 600	12 - 24 V	Isolated	3 - 180 Ω	NO	NO	Ø 54 mm	YES	RE 71003
A2C59510165	145 - 400	12 - 24 V	Isolated	3 - 180 Ω	YES	NO	Ø 54 mm	NO	RE 71004
A2C59510166	145 - 400	12 - 24 V	Isolated	240 - 33 Ω	NO	NO	Ø 54 mm	NO	RE 71005
A2C59510167	145 - 400	12 - 24 V	Isolated	0 - 90 Ω	YES	YES	Ø 54 mm	NO	RE 71006



TUBULAR SENSOR

CIRCULAR FLANGE 54mm. Ground on the tank. 5 mounting holes.

Cork gasket 66.5x4.5mm.

OEM	Height sensor	Power supply	Negative	Reading range	Mounting hole	Circular flange	Code
224-011-000-020	200 mm	12 - 24 V	Ground	2,5 - 68 Ω	Ø 41 mm	Ø 54 mm	RE 71007
224-011-000-025	250 mm	12 - 24 V	Ground	2,5 - 72 Ω	Ø 41 mm	Ø 54 mm	RE 71008
224-011-000-030	300 mm	12 - 24 V	Ground	2,5 - 82,8 Ω	Ø 41 mm	Ø 54 mm	RE 71009
224-011-000-035	350 mm	12 - 24 V	Ground	2,5 - 79,6 Ω	Ø 41 mm	Ø 54 mm	RE 71011
224-011-000-040	400 mm	12 - 24 V	Ground	2,5 - 74,9 Ω	Ø 41 mm	Ø 54 mm	RE 71014
224-011-000-045	450 mm	12 - 24 V	Ground	2,5 - 84,3 Ω	Ø 41 mm	Ø 54 mm	RE 71015
224-011-000-050	500 mm	12 - 24 V	Ground	2,5 - 75,4 Ω	Ø 41 mm	Ø 54 mm	RE 71016
224-011-000-055	550 mm	12 - 24 V	Ground	2,5 - 77,6 Ω	Ø 41 mm	Ø 54 mm	RE 71017
224-011-000-060	600 mm	12 - 24 V	Ground	2,5 - 85,3 Ω	Ø 41 mm	Ø 54 mm	RE 71018
224-011-000-065	650 mm	12 - 24 V	Ground	2,5 - 82,2 Ω	Ø 41 mm	Ø 54 mm	RE 71019
224-011-000-070	700 mm	12 - 24 V	Ground	2,0 - 81,6 Ω	Ø 41 mm	Ø 54 mm	RE 71020
224-011-000-075	750 mm	12 - 24 V	Ground	2,0 - 82,0 Ω	Ø 41 mm	Ø 54 mm	RE 71021
224-011-000-080	800 mm	12 - 24 V	Ground	2,0 - 68,5 Ω	Ø 41 mm	Ø 54 mm	RE 71022



FRESH WATER SENSOR CAPACITIVE

It's possible to adjust its length by cutting the sensor

Tank Height	Supply	Negative	Ampere	Contacts	Circular flange	Mounting hole	OEM	Code
80...600 mm	12 - 24 V	Ground	4...20 mA	2 Faston	71 mm	42 mm	N-02-240-402	RE 71026
600...1200 mm	12 - 24 V	Ground	4...20 mA	2 Faston	71 mm	42 mm	N-02-240-404	RE 71031
1200...1500 mm	12 - 24 V	Ground	4...20 mA	2 Faston	72 mm	42 mm	N-02-240-406	RE 71032



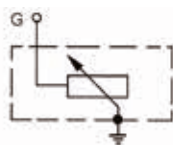
WASTE WATER SENSOR CAPACITIVE

GALVANIZED INSULATION

It's possible to adjust its length by cutting the sensor

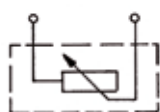
With adjustable alarm contact

Adjustable sensor height	Supply	Ampere	Contacts	Circular flange	Mounting hole	OEM	Code
200...600 mm	12 - 24 V	40...20 mA	2 Faston	78,5 mm	42 mm	N-02-240-902	RE 71033
600...1200 mm	12 - 24 V	40...20 mA	2 Faston	78,5 mm	42 mm	N-02-240-904	RE 71028
1200...1500 mm	12 - 24 V	40...20 mA	2 Faston	78,5 mm	42 mm	N-02-240-906	RE 71029



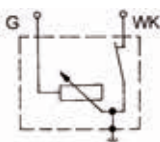
VDO PRESSURE SENSORS (1 NEGATIVE COMMON POLE)

Range	Threading	Voltage	Negative	Connection	OEM	Code
5 bar - 75 psi	M 10x1/with short	6 - 24 V	Common	Knurled	360-081-029-001C	RE 71070
5 bar - 75 psi	1/8 - 27 NPTF	6 - 24 V	Common	Knurled	360-081-029-004C	RE 71034
10 bar - 150 psi	1/8 - 27 NPTF	6 - 24 V	Common	Knurled	360-081-029-012C	RE 71036
10 bar - 150 psi	M 14x 1,5	6 - 24 V	Common	Knurled	360-081-029-033C	RE 71035



VDO OIL PRESSURE SENSORS (INSULATED POLES)

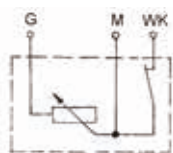
Range	Threading	Voltage	Negative	Connection	OEM	Code
2 bar - 30 psi	M 18x1,5	6 - 24 V	Insulated	2 Faston a 50°	360-081-032-011C	RE 71039
2 bar - 30 psi	1/8 - 27 NPTF	6 - 24 V	Insulated	2 Faston a 50°	360-081-032-025C	RE 71041
5 bar - 75 psi	M 10x1/with short	6 - 24 V	Insulated	Knurled nud	360-081-032-002C	RE 71037
5 bar - 75 psi	M 18x1,5	6 - 24 V	Insulated	Knurled nud	360-081-032-013C	RE 71038
5 bar - 75 psi	1/8 - 27 NPTF	6 - 24 V	Insulated	Knurled nud	360-081-032-001C	RE 71040
10 bar - 150 psi	M 10x1/with short	6 - 24 V	Insulated	Knurled nud	360-081-032-003C	RE 71042
10 bar - 150 psi	M 12x1,5	6 - 24 V	Insulated	Knurled nud	360-081-032-053C	RE 71043
10 bar - 150 psi	M 14x1,5	6 - 24 V	Insulated	Knurled nud	360-081-032-006C	RE 71044
10 bar - 150 psi	1/8 - 27 NPTF	6 - 24 V	Insulated	Knurled nud	360-081-032-014C	RE 71045
25 bar - 350 psi	M 14x1,5	6 - 24 V	Insulated	M4 hexagonal nuts	360-081-038-001C	RE 71046
25 bar - 350 psi	1/8 - 27 NPTF	6 - 24 V	Insulated	M4 hexagonal nuts	360-081-038-003C	RE 71047



VDO OIL PRESSURE SENSORS WITH ALARM CONTACT (1 NEGATIVE COMMON POLE)

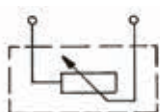
Connection with 2 knurled nuts M4 (WK – G). Alarm contact: closure when pressure falls.

Range	Threading	Range	Voltage	Power contact alarm	OEM	Code
5 bar - 75 psi	M 12x1,5	0,5 bar	6 - 24 V	5 W NA	360-081-030-008C	RE 71050
5 bar - 75 psi	1/8 - 27 NPTF	0,5 bar	6 - 24 V	5 W NA	360-081-030-086C	RE 71052
5 bar - 75 psi	M 10x1 /with short	0,7 bar	6 - 24 V	5 W NA	360-081-030-004C	RE 71053
80 PSI	1/4 - 18 NPTF	8 PSI	6 - 24 V	5 W NA	360-081-030-020C	RE 71054
10 bar - 150 psi	M 10x1 /with short	0,5 bar	6 - 24 V	5 W NA	360-081-030-009C	RE 71055
10 bar - 150 psi	M 12x1,5	0,5 bar	6 - 24 V	5 W NA	360-081-030-022C	RE 71056
10 bar - 150 psi	1/8 - 27 NPTF	0,5 bar	6 - 24 V	5 W NA	360-081-030-052C	RE 71057
10 bar - 150 psi	M 10x1 /with short	0,75 bar	6 - 24 V	5 W NA	360-081-030-039C	RE 71058
10 bar - 150 psi	M 10x1 /with short	0,9 bar	6 - 24 V	5 W NA	360-081-030-017C	RE 71060



VDO OIL PRESSURE SENSORS WITH ALARM CONTACT (3 TERMINALS). Connection with 3 Faston 6.3mm.

Range	Threading	Range	Voltage	Power contact alarm	OEM	Code
10 bar - 150 psi	1/8 - 27 NPTF	0,8 bar	6 - 24 V	5 W NA	360-081-039-003C	RE 71068
5 bar - 75 psi	1/8 - 27 NPTF	0,8 bar	6 - 24 V	5 W NA	360-081-039-002C	RE 71069



VDO OIL PRESSURE SENSORS FOR DUAL STATION

To connect to two instruments.

Range	Threading	Poles	Voltage	Connection	OEM	Code
25 bar - 350 psi	1/8 - 27 NPTF	1 common pole neg	6 - 24 V	2 Faston	362-081-004-001C	RE 71065
25 bar - 350 psi	1/8 - 27 NPTF	Insulated poles	6 - 24 V	2 Faston	362-081-002-001K	RE 71064



1 polo negativo comune

6,3 x 0,8mm



TEMPERATURE WATER SENSOR

1 common negative pole. Connection: 1 Faston 6.3mm.

°C MAX	Threading	Switching Load	Voltage	Operating value °C	Ohm	OEM	Code
120°	M 14x1,5	3 min	12 - 24 V	90°	51,2	323-801-001-006N	RE 71074
120°	M 16x1,5	3 min	12 - 24 V	90°	51,2	323-801-001-040N	RE 71075
120°	M 18x1,5	3 min	12 - 24 V	90°	51,2	323-801-001-022N	RE 71076
120°	M 10x1	3 min	12 - 24 V	90°	51,2	323-801-017-001N	RE 71077
120°	M 16x1,5	3 min	12 - 24 V	90°	51,2	323-801-001-029N	RE 71078
120°	3/8 -18 NPTF	3 min	12 - 24 V	90°	51,2	323-801-001-007N	RE 71079
120°	5/8 -18 UNF - 3A	3 min	12 - 24 V	90°	51,2	323-801-001-008N	RE 71080



negativo isolato

(2x) 6,3 x 0,8mm



TEMPERATURE OIL SENSOR

INSULATED NEGATIVE. Connection: 2 Faston 6.3mm.

°C MAX	Threading	Switching Load	Voltage	Operating value °C	Ohm	OEM	Code
150°	M 14x1,5	3 min	12 - 24 V	120°	36,5	323-805-003-001N	RE 71091
150°	1/4 -18 NPTF	3 min	12 - 24 V	120°	36,5	323-805-003-002N	RE 71092
150°	5/8 -18 UNF - 2A	3 min	12 - 24 V	120°	36,5	323-805-003-003N	RE 71093



G =Terminali a lama 6,3 x 0,8mm
W =Terminali a lama 4,8 x 0,8mm



TEMPERATURE WATER SENSOR (WITH ALARM CONTACT)

COMMON NEGATIVE. Switching load: min 3 after the connection changement.
Contact type: closure when temperature arises.

°C MAX	Threading	Contact points	Voltage	Operating value °C	Ohm	OEM	Code
120°	M 14x1,5	80°	12 - 24 V	90°	51,2	323-803-001-023D	RE 71094
120°	M 14x1,5	90°	12 - 24 V	90°	51,2	323-803-001-004D	RE 71095
120°	M 14x1,5	96°	12 - 24 V	90°	51,2	323-803-001-006D	RE 71097
120°	M 14x1,5	110°	12 - 24 V	90°	51,2	323-803-001-008D	RE 71098
120°	5/8 -18 NF - 3	95°	12 - 24 V	90°	51,2	323-803-001-011D	RE 71099
120°	5/8 -18 NF - 3	98°	12 - 24 V	90°	51,2	323-803-001-002D	RE 71000
120°	5/8 -18 NF - 3	100°	12 - 24 V	90°	51,2	323-803-001-012D	RE 71101
120°	1/2 -14 NPTF	95°	12 - 24 V	90°	51,2	323-803-001-019D	RE 71102



TEMPERATURE WATER SENSOR FOR DUAL STATION, D MARKED

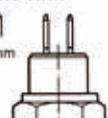
D marked sensor. Switching load: min 3 after the connection changement.
Contact type: closure when temperature arises. Connection: negative 1 Faston Insulated negative 2 Faston.

°C MAX	Threading	Negative pole	Voltage	Operating value °C	Ohm	OEM	Code
120°	M 18x1,5	Ground	12 - 24 V	90°	25,6	325-801-002-002D	RE 71103
120°	1/4 -18 NPTF	Ground	12 - 24 V	90°	25,6	325-801-002-001C	RE 71104
120°	1/4 -18 NPTF	Isolated	12 - 24 V	90°	25,6	325-805-003-001C	RE 71105
120°	3/8 -18 NPTF	Isolated	12 - 24 V	90°	25,6	325-805-003-003C	RE 71106



negativo isolato

(2x) 6,3 x 0,8mm



TEMPERATURE WATER SENSOR

INSULATED NEGATIVE. Connection: 2 Faston 6.3mm.

°C MAX	Threading	Switching Load	Voltage	Operating value °C	Ohm	OEM	Code
120°	M 12x1,5	3 min	12 - 24 V	90°	51,2	323-805-001-015N	RE 71084
120°	1/2 -14 NPTF	3 min	12 - 24 V	90°	51,2	323-805-001-004N	RE 71086
120°	3/8 -18 NPTF	3 min	12 - 24 V	90°	51,2	323-805-001-005N	RE 71088
120°	5/8 -18 UNF - 2A	3 min	12 - 24 V	90°	51,2	323-805-001-002A	RE 71089